

1. CoMeT-40



Remark: CoMeT 40/2 or CoMeT 40/3 as a set in a transport case

Picture	Art. Nr.	Rosenberger	Description
A	242013	107157	CoMeT- test- head 40/2 up to 3 GHz
B	242043	213440	CoMeT- test- head 40/3 up to 9 GHz

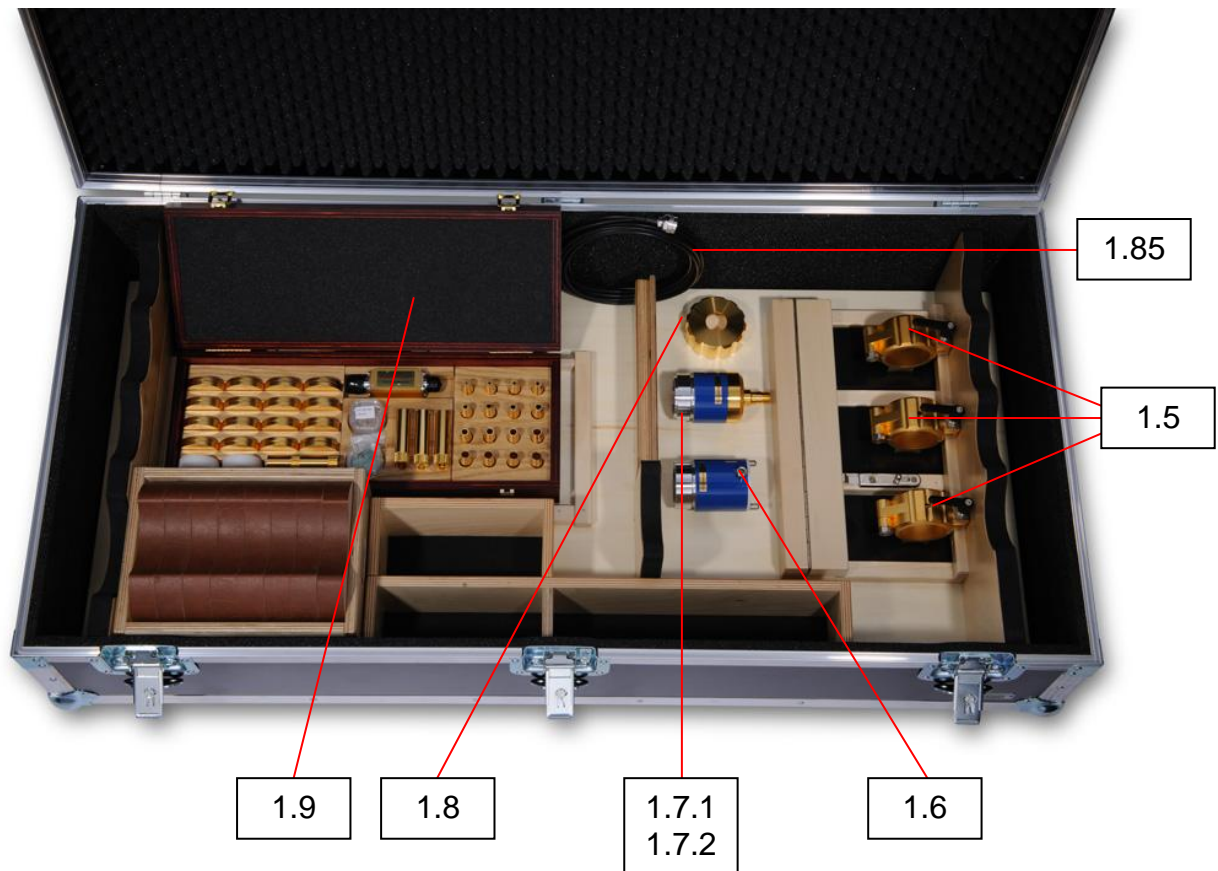
The measurement system CoMeT 40/x (Coupling- Measurement- Tube) is applicable for the measurement of “ transfer impedance ” and “ screening- or coupling attenuation ” on communication cables, assemblies and connectors according to IEC 62153-4-3, IEC 62153-4-4 and IEC 62153-4-7 up to and above 3 GHz with one test setup.

CoMeT-40



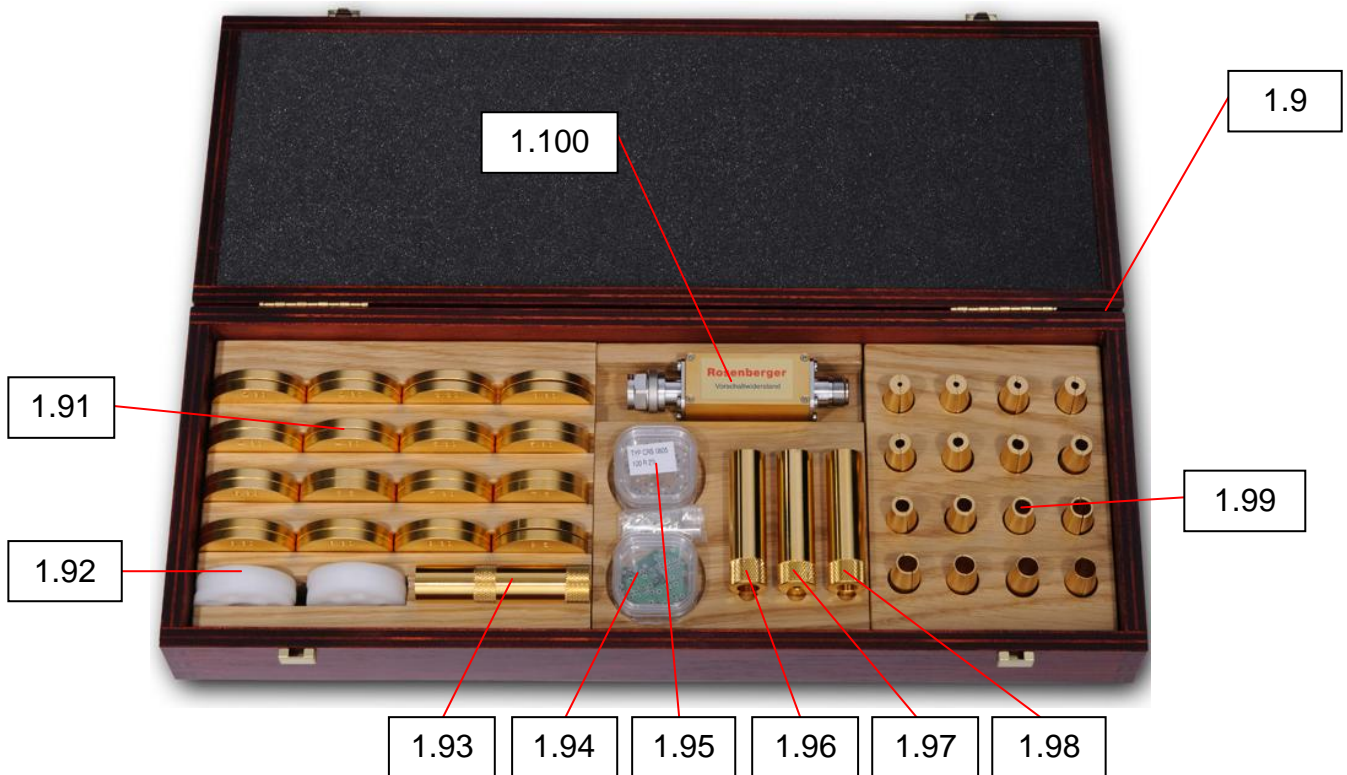
Picture	Art. Nr.	Rosenberger	Description
1.1	242044	180566	tube, 450 mm, one end with thread
1.2	242028	180578	tube, 1000 mm, one end with thread
1.3	242046	180567	intermediate tube, length 1000 mm
1.4	-	180569	table base for CoMeT 40/ x (wooden)

CoMeT-40



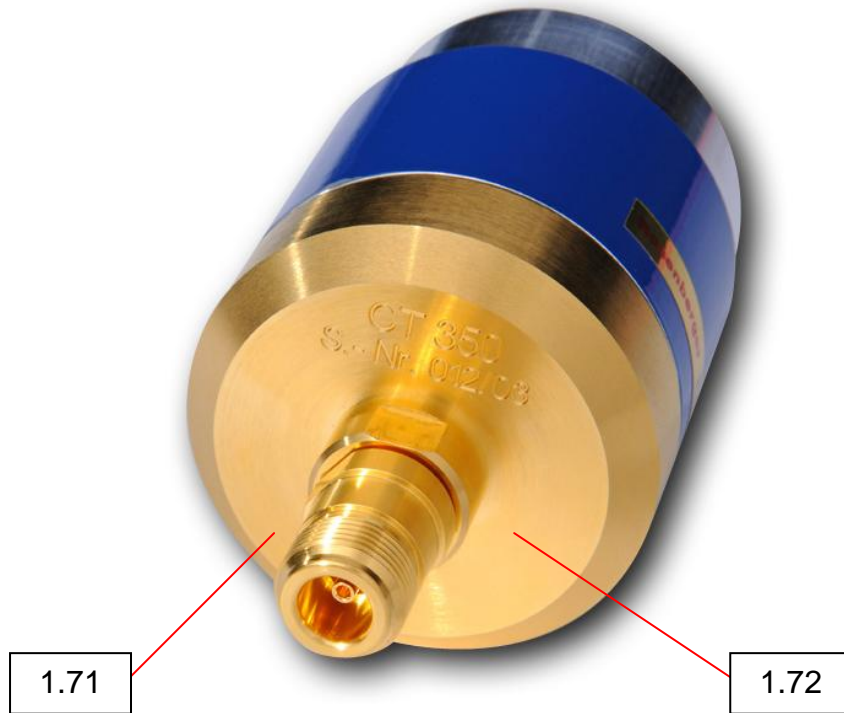
Picture	Art. Nr.:	Rosenberger	Description
1.5	242027	180579	tube clamp CoMeT 40/x
1.6	242047	180582	measurement adapter / test- head open
1.7.1	242026	109149	CoMeT- test- head 40/2 up to 3 GHz
1.7.2	242066	180641	CoMeT- test- head 40/3 up to 12 GHz
1.8	242074	180581	tube end locking screw CT-350
1.9	242045	180580	shield contacting and adapter set
1.85	242077	180563	cable RG 58 with connector 53S104-106A3

CoMeT-40



Picture	Art. Nr.:	Rosenberger	Description
1.9	242045	180580	shield contacting and adapter set
1.91	242076	195094	clamping aperture (single) Ø 5,3 (ask for other diameter)
1.92	-	195114 195115	195114 (Ø 6 mm) 195115 (Ø 15 mm) centering
1.93	242058 242052	195085 195086	connecting case split part A * connecting case split part B *
1.94	242247 242248	266501 266502	printed circuit board, MKS 8+2, L = 0 Ω printed circuit board, MKS 8+2, L = 25 Ω
1.95	242099	124298	matching resistors, Mini-Melf, HF (VE = 100 St.)
1.96	242073	195082	connecting case standard 40/2, 65 mm
1.97	242020	195084	CoMeT 40/x adapter 3.5 mm drilling
1.98	242033	195083	CoMeT 40/x adapter F- thread
1.99	242075	195110	tightening cone Ø 4,8 mm (ask for other diameter)
1.100	242015	180608	housing for ballast resistor (housing V)

CoMeT-40



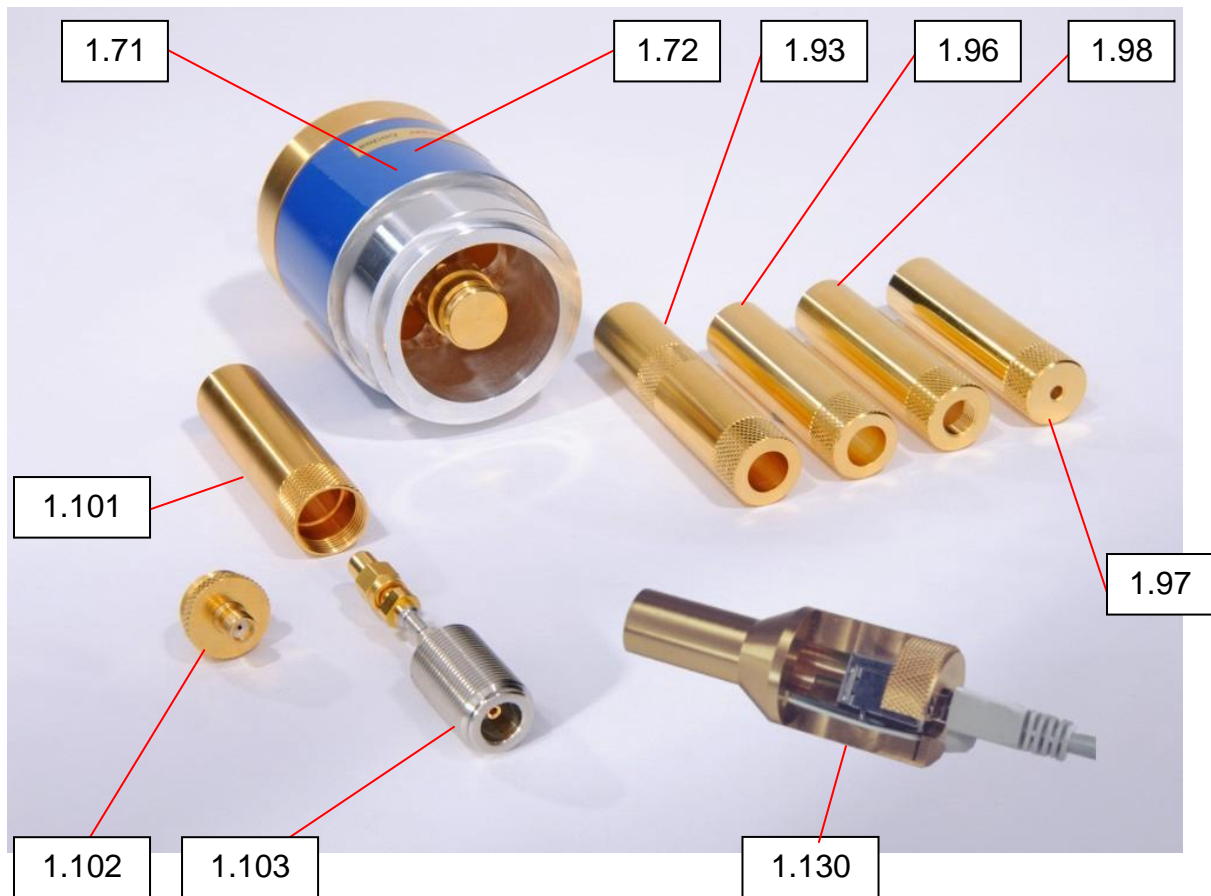
Picture	Art.-Nr.:	Rosenberger	Description
1.71	242066	109149	CoMeT- test- head 40/2 up to 9 GHz
1.72	242026	180641	CoMeT- test- head 40/3 up to 3 GHz

CoMeT-40



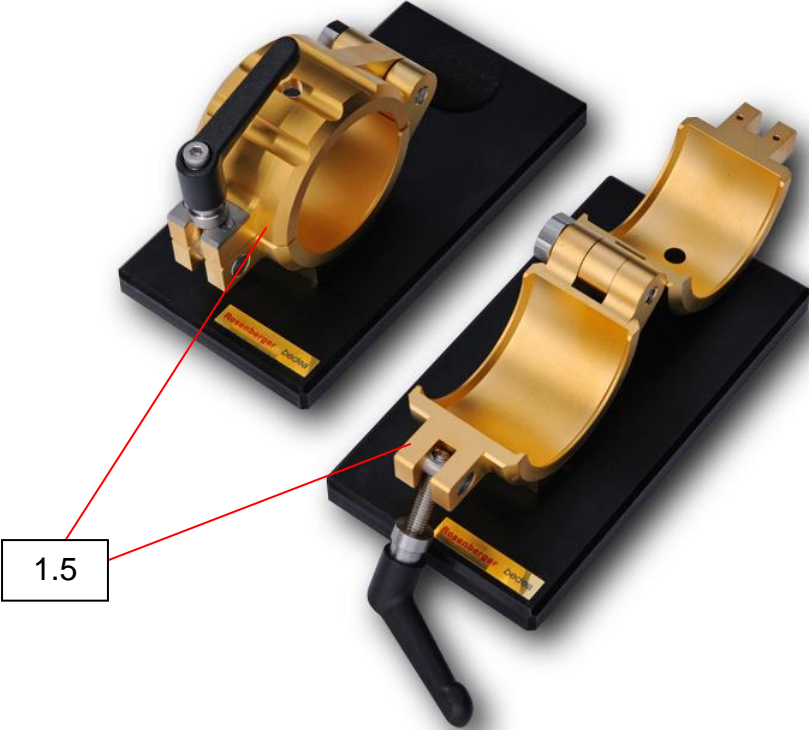
Picture	Art-Nr.:	Rosenberger	Description
1.6	242047	180582	measurement adapter / test- head open

CoMeT-40



Picture	Art.Nr.:	Rosenberger	Description
1.101	242034	116668	CoMeT 40/x adapter (thread)
1.102	-	100375	CoMeT 40/x adapter N-SMA for 1.101
1.103	242056	180620	CoMeT- matching resistor 50 Ohm N
1.93	242058 242052	195085 195086	connecting case split part A (for cone) connecting case split part B (for cone)
1.96	242073	195082	connecting case standard 40/2, 65 mm
1.98	242033	195083	CoMeT 40/x adapter F- thread
1.97	242020	195084	CoMeT 40/x adapter 3,5 mm
1.130	242032	180634	CoMeT 40/x adapter RJ45 – Jack
1.71	242066	109149	CoMeT- test- head 40/3 up to 9 GHz
1.72	242026	180641	CoMeT- test- head 40/2 up to 3 GHz

CoMeT-40



Picture	Art-Nr.:	Rosenberger	Description
1.5	242027	180579	tube clamp CoMeT 40/x

Remark: The tube- clamp is for both CoMeT (40/2 und 40/3) applicable

CoMeT-40



Picture	Art-Nr.:	Rosenberger	Description
1.9	242045	180580	shield contacting and adapter set
1.110	242024	180638	extension set "tube in tube"
1.120	242065	180637	cone- set 2,3 – 9,8 mm
1.117	242063	217135	clamping aperture set, style cone A
1.118	242064	217136	clamping aperture set, style cone B
1.104	242019	180633	extension set, 10-15mm over screen

Remark: cone A 2.5 – 9.5 mm / Cone B 2.55 – 9.55 mm

CoMeT 40



Picture	Art-Nr.:	Rosenberger	Description
1.104	242019	180633	extension set, 10-15mm over screen
1.105	-	202762	T- tool for the Set 242019
1.106	-	-	clamping aperture set Ø 9,3mm–14,8mm
1.107	-	202745	clamping aperture set D2- adaptor
1.108	-	202746	cone intake D2
1.109	-	-	cone set Ø 9,3 mm – 14,8 mm

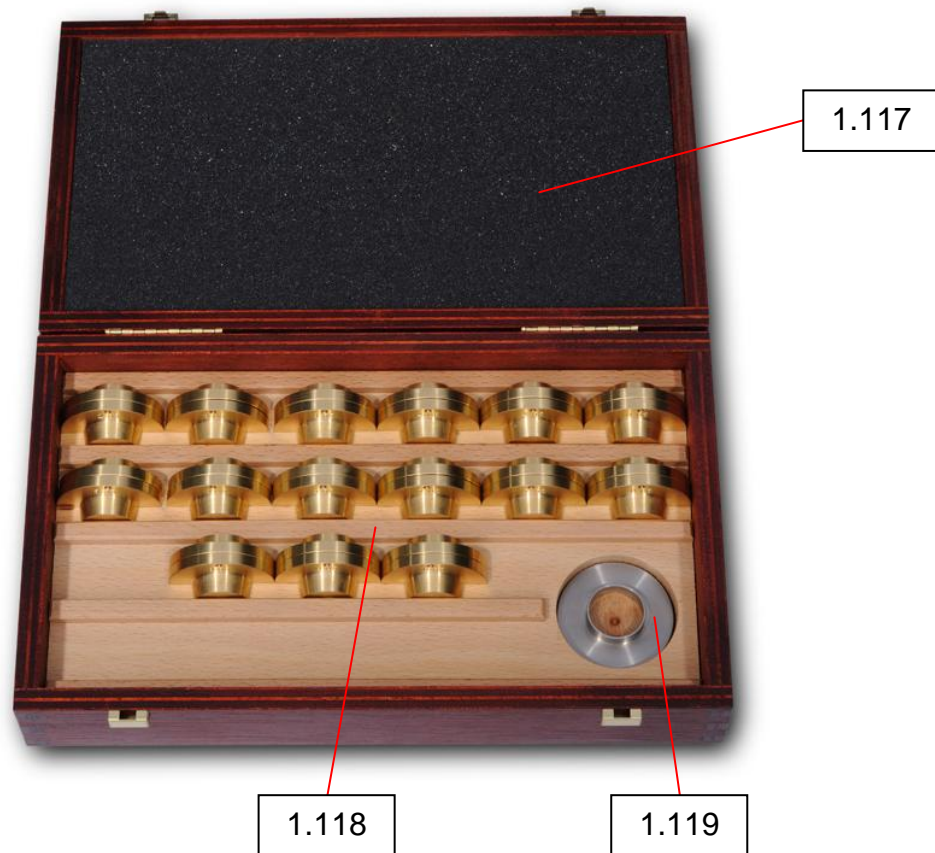
Remark: the max. diameter D2 is limited to 15 mm / For larger diameter you need the system CoMeT 90 / 1

CoMeT-40



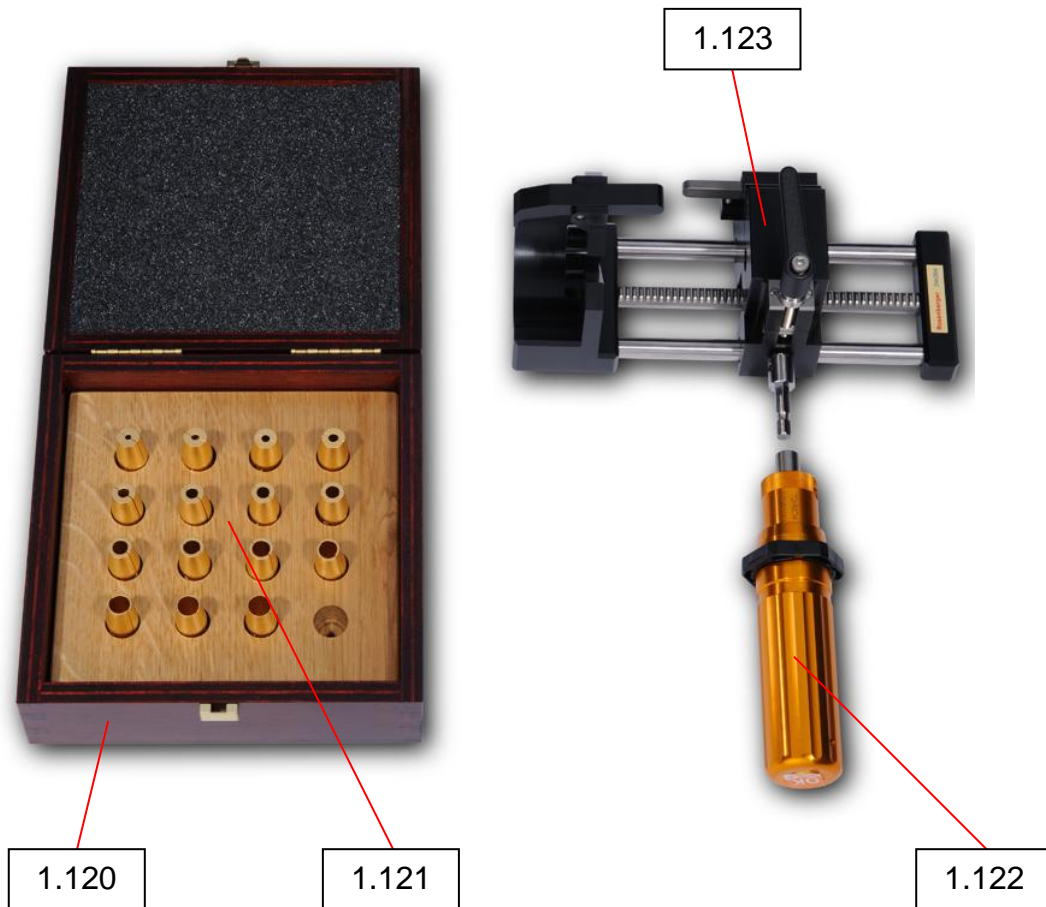
Picture	Art-Nr.:	Rosenberger	Description
1.110	242024	180638	extension set "tube- in tube"
1.119	242131	197802	clamping washer tube- in tube
1.112	242136	197803	tube clamp tube- in tube
1.113	242121	197794	tube- bastion tube- in tube
1.114	242018	197798	tube 2 length A tube- in tube
1.115	242184	197796	tube 1 length B tube- in tube
1.116	242120	197800	tube clamp tube- in tube

CoMeT-40



Picture	Art-Nr.:	Rosenberger	Description
1.117	242063	217135	shells with cone \varnothing 2,30 – 9,80 mm
1.118	242064	217136	shells with cone \varnothing 2,55 – 9,55 mm
1.119	242131	197802	clamping washer cone set

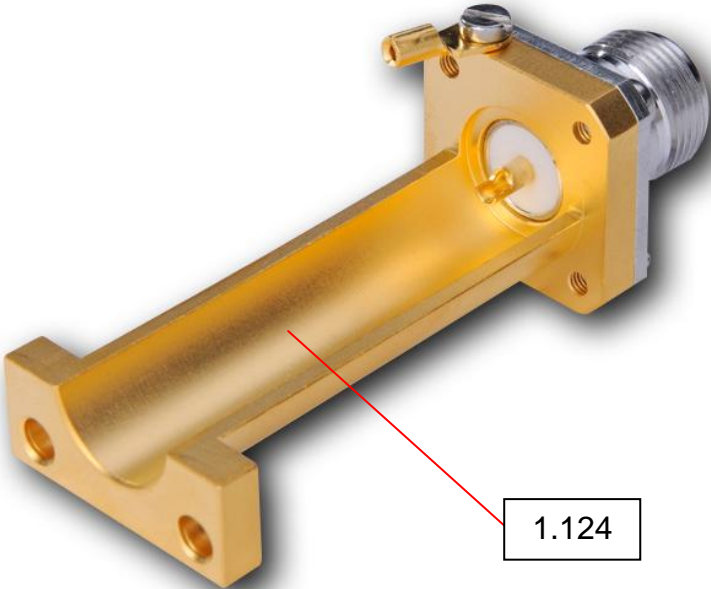
CoMeT-40



Picture	Art-Nr.:	Rosenberger	Description
1.120	242065	180637	cone set base Ø 2.3-9.8 mm
1.121	-	-	cone divided Ø 2,55 – 9,55 mm
1.122	(242017)	193288	torque wrench (ts)
1.123	242017	100901	stretching- device 40/x with ts

Remark: The Part p/n: 242017 does include both, one stretching- device 40/x [1.123] and one torque wrench [1.122]

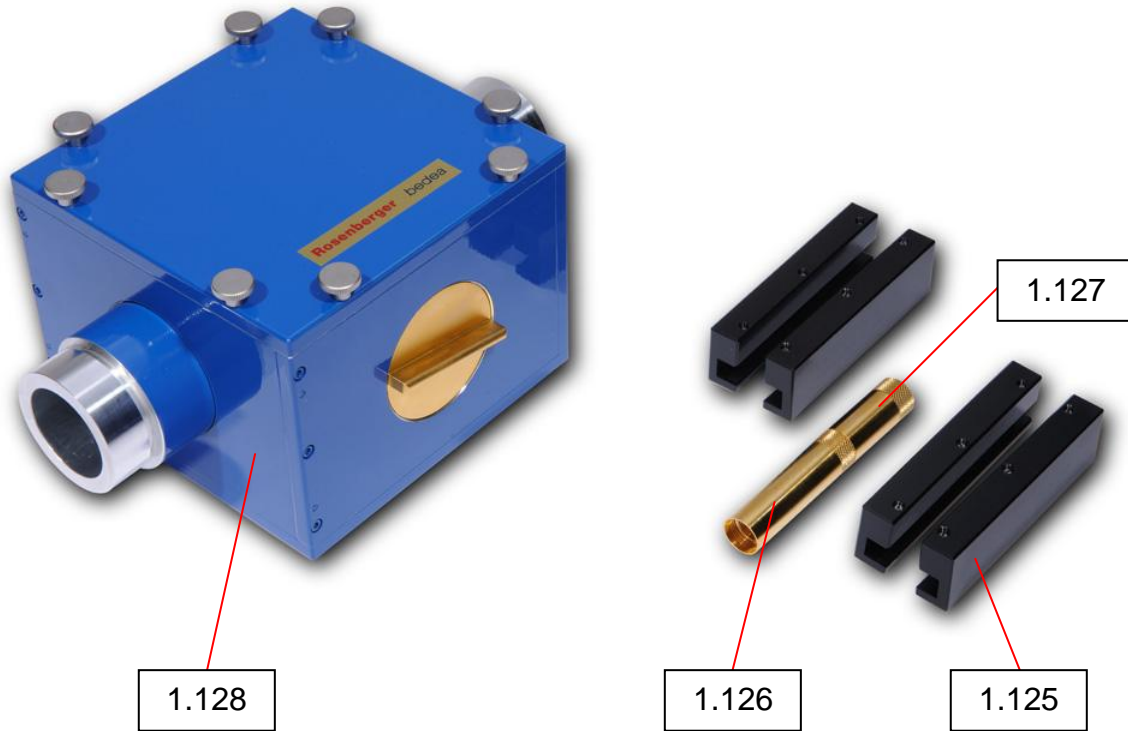
CoMeT-40



Picture	Art-Nr.:	Rosenberger	Description
1.124	242055	198539	connecting tool for the stretching device

Remark: This connecting tool is intended for using to fast connect the feeding cable or DUT with your Network – Analyzer (VNA)

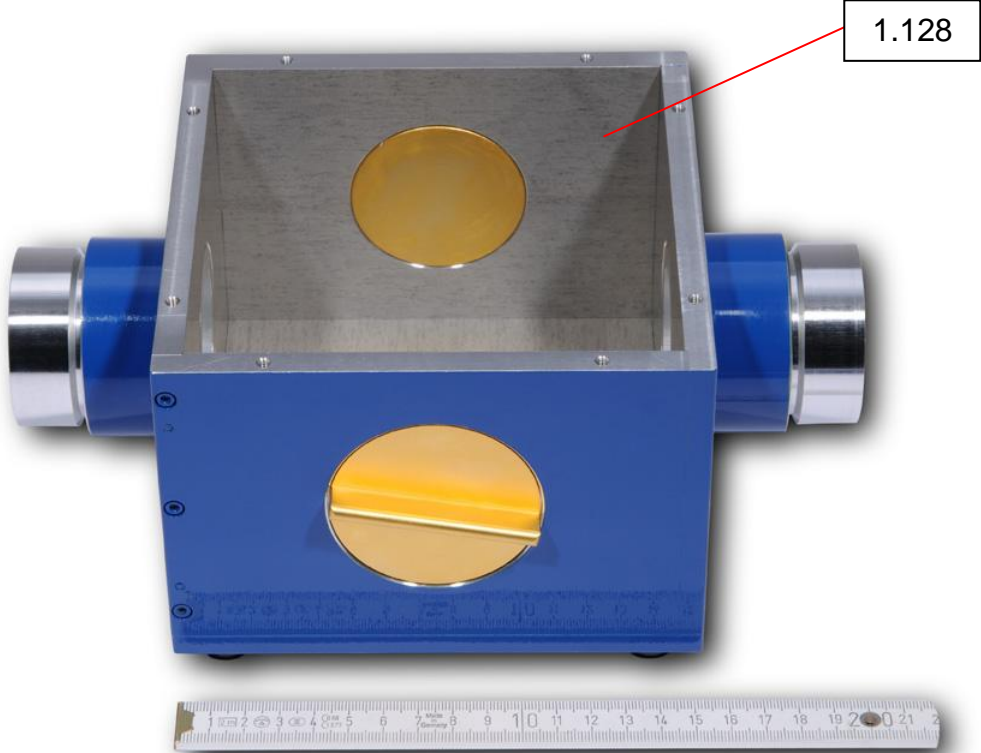
CoMeT-40



Picture	Art-Nr.:	Rosenberger	Description
1.128	242023	180635	angled housing 140mm (base unit)
1.127	242052	193876	angled housing case A
1.126	-	193875	angled housing case B
1.125	-	193874	feet for the angled housing

Remark: Given Measurements (LxB) are always from the inner system of the mentioned box

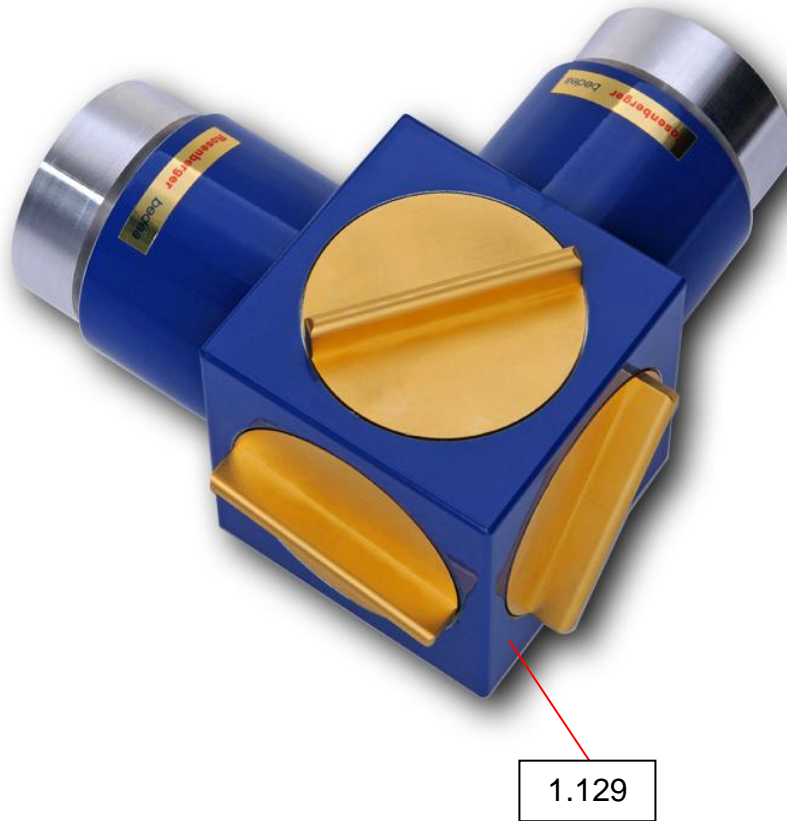
CoMeT-40



Picture	Art-Nr.:	Rosenberger	Description
1.128	242023	180635	angled housing 140 mm (base unit)

Remark: Given Measurements (LxB) are always from the inner system of the mentioned box

CoMeT-40



Picture	Art-Nr.:	Rosenberger	Description
1.129	242042	210743	angled housing lt,(75 mm),drilling 44mm

Remark: Given Measurements (LxB) are always from the inner system of the mentioned box

CoMeT-40



Picture	Art-Nr.:	Rosenberger	Description
1.129	242042	210743	angled housing lt,(75 mm),drilling 44mm

Remark: Given Measurements (LxB) are always from the inner system of the mentioned box

2. CoMeT-90



Picture	Art-Nr.:	Rosenberger	Description
2.1 / 2.2	242016	180313	CoMeT 90/1 test fixture compl., 6.0-22.0mm

The measurement system CoMeT 90/1 (Coupling- Measurement- Tube) is applicable for the measurement of “transfer impedance” and “screening- or coupling attenuation” on communication cables, assemblies and connectors according to IEC 62153-4-3, IEC 62153-4-4 and IEC 62153-4-7 up to 2 GHz with one test setup.

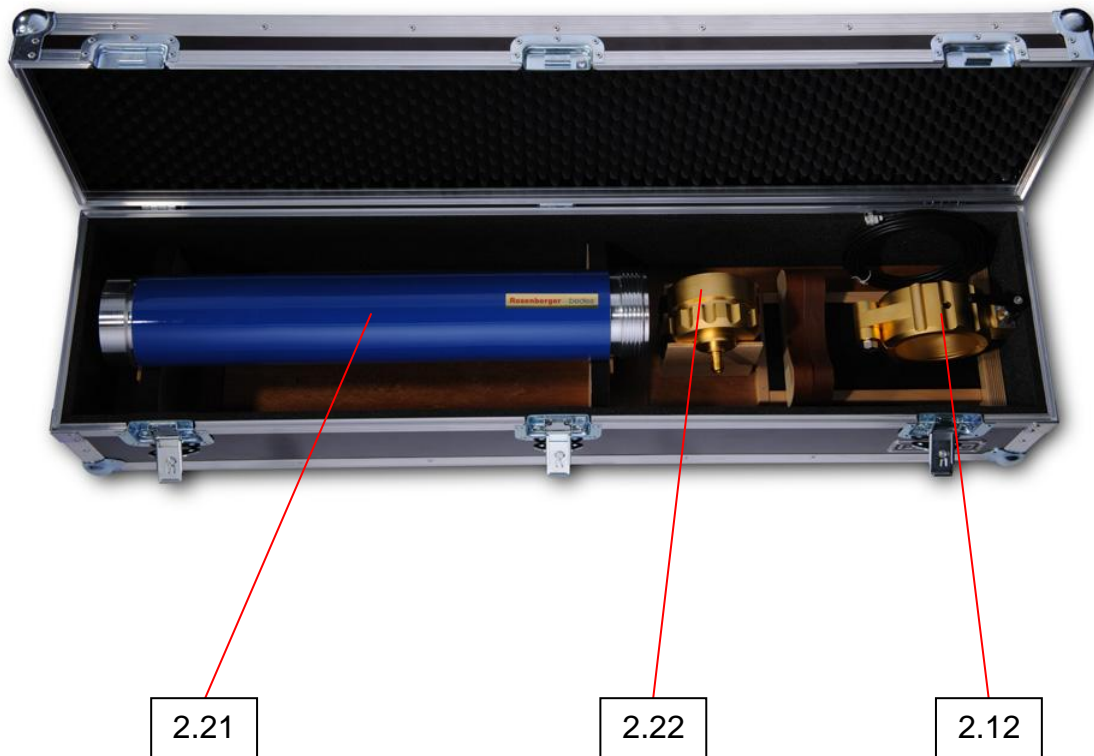
The diameter of the shield should be in discrete steps in the range from 6mm to 22mm.

2. CoMeT-90



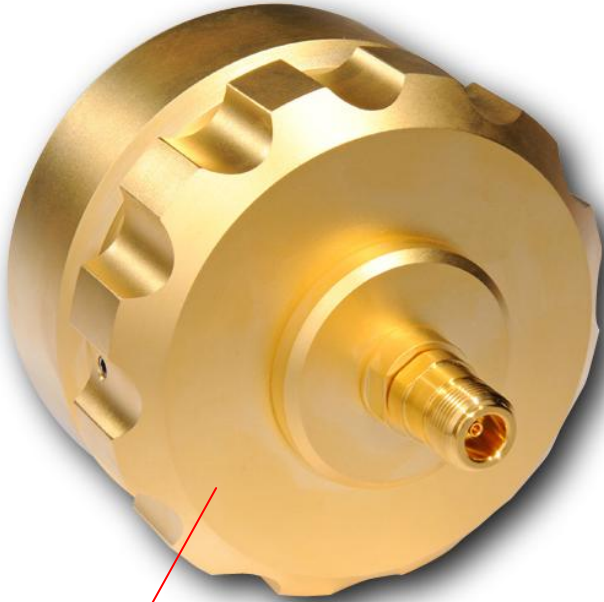
Picture	Art-Nr.:	Rosenberger	Description
2.11	-	208795	tube length A 634.5 / TR 109*5 thread
2.12	242081	208291	tube clamp CoMeT 90/x
2.13	-	208796	tube end fitting (screw) CoMeT 90/x
2.14	242155	208817	connecting case CoMeT 90/x
2.15	-	-	cone for shield Ø 6,0 – 22,0 mm
2.16	242212	208794	tube length B CoMeT 90/x
2.17	-	-	clamping aperture Ø 6,0 – 22,0 mm

2. CoMeT-90



Picture	Art-Nr.:	Rosenberger	Description
2.21	-	208823	tube length A 634.5 / TR 109*5 thread
2.22	242154	208284	test- head CoMeT 90/x
2.12	242081	208291	tube- clamp 90/x

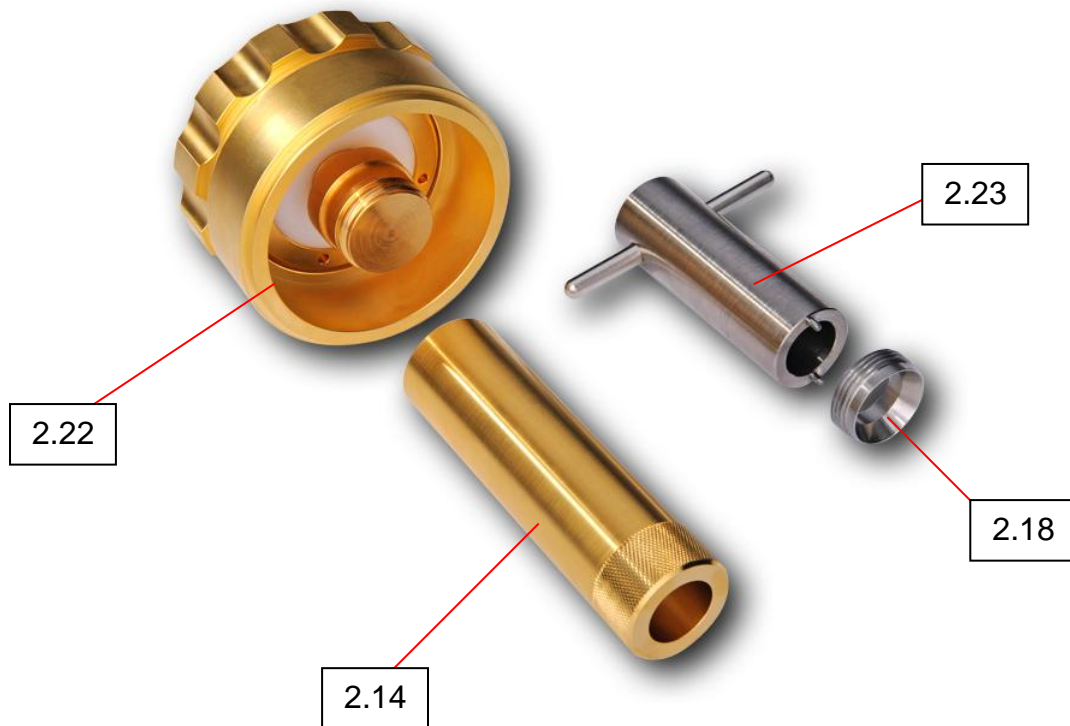
2. CoMeT-90



2.22

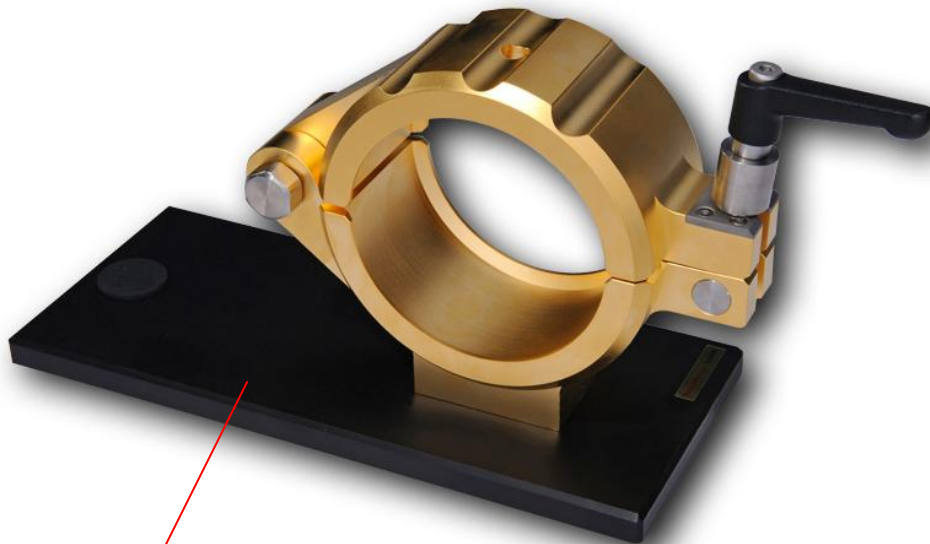
Picture	Art-Nr.:	Rosenberger	Description
2.22	242154	208284	test- head CoMeT 90/x

2. CoMeT-90



Picture	Art-Nr.:	Rosenberger	Description
2.22	242154	208284	test- head CoMeT 90/x
2.14	242155	208817	connecting case CoMeT 90/x
2.18	242186	208818	clamping element CoMeT 90/x
2.23	242185	208819	T- tool for CoMeT 90/x

2. CoMeT-90



2.12

Picture	Art-Nr.:	Rosenberger	Description
2.12	242081	208291	tube- clamp CoMeT 90/x